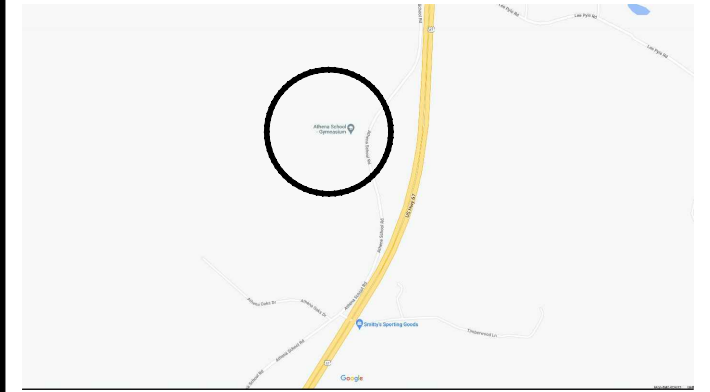


ATHENA SCHOOL

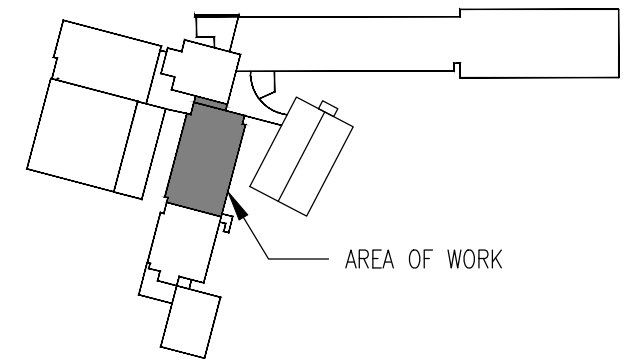
3775 ATHENA SCHOOL RD, DE SOTO, MO 63020



LOCATION MAP



KEY PLAN



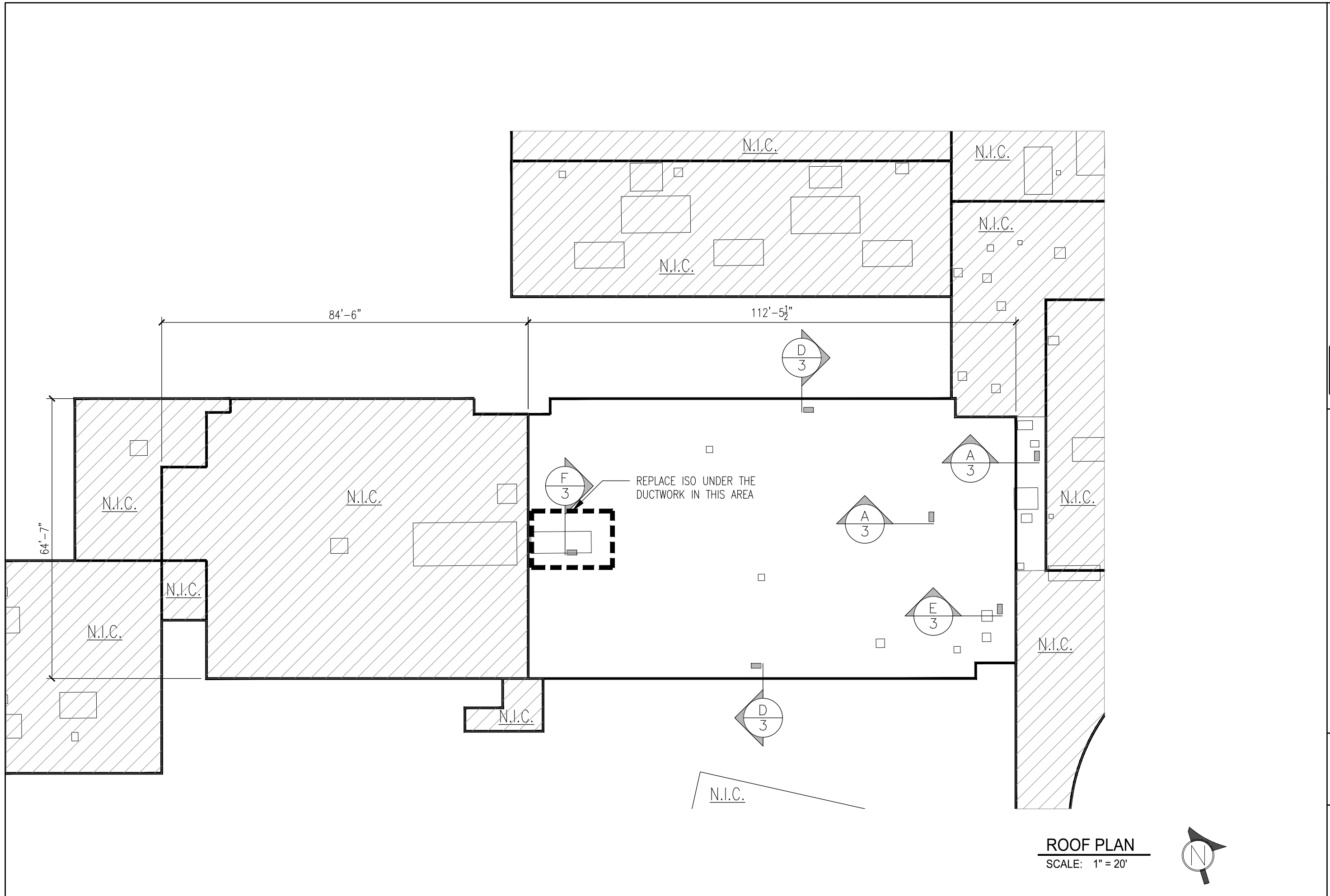
DRAWING INDEX

- SHT 1 - COVER SHEET
- SHT 2 - ROOF PLAN
- SHT 3 - DETAILS
- SHT 4 - DETAILS
- SHT 5 - DETAILS

THE GARLAND COMPANY INC.
 3800 EAST 91st STREET - CLEVELAND, OHIO 44105-2197
 PHONE (800) 327-9356 / FAX (216) 641-0633



| | | | |
|---------------|---|-------------|-----------|
| REVISION: | ATHENA SCHOOL 3775 ATHENA SCHOOL RD, DE SOTO, MO 63020 | DWG BY: GCK | CHK BY: |
| SHEET: 1 OF 4 | ARCHITECT: JEREMY CODART | JOB NUMBER: | CUSTOMER: |
| | DATE: 08-22-22 | | |



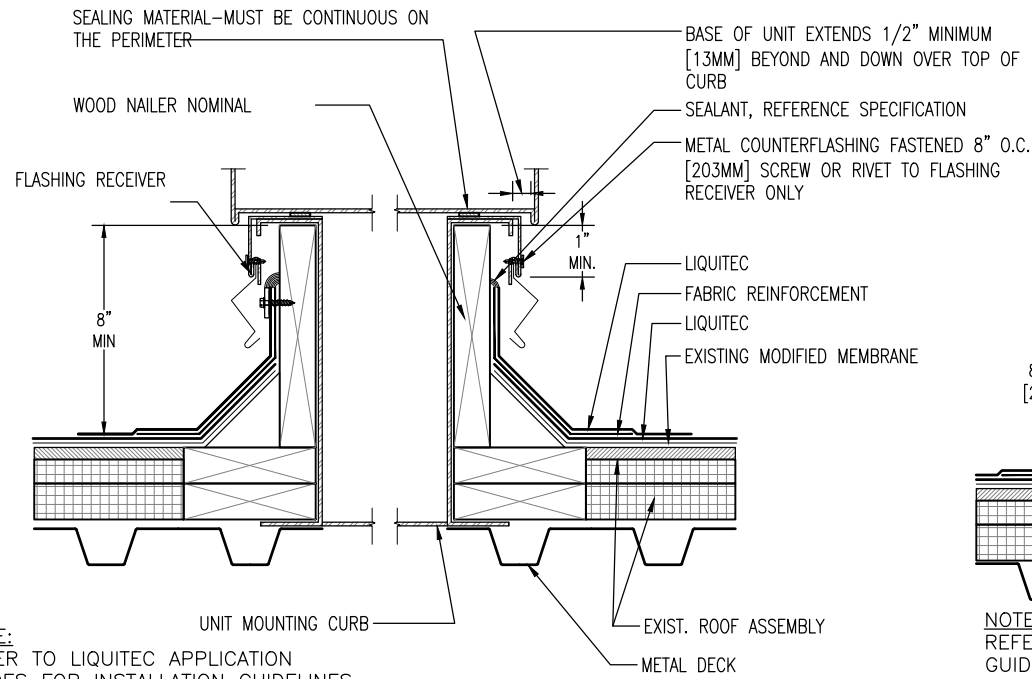
ROOF PLAN
SCALE: 1" = 20'



THE GARLAND COMPANY INC.
3800 EAST 91st STREET - CLEVELAND, OHIO 44105-2197
PHONE (800) 327-9356 / FAX (216) 641-0633

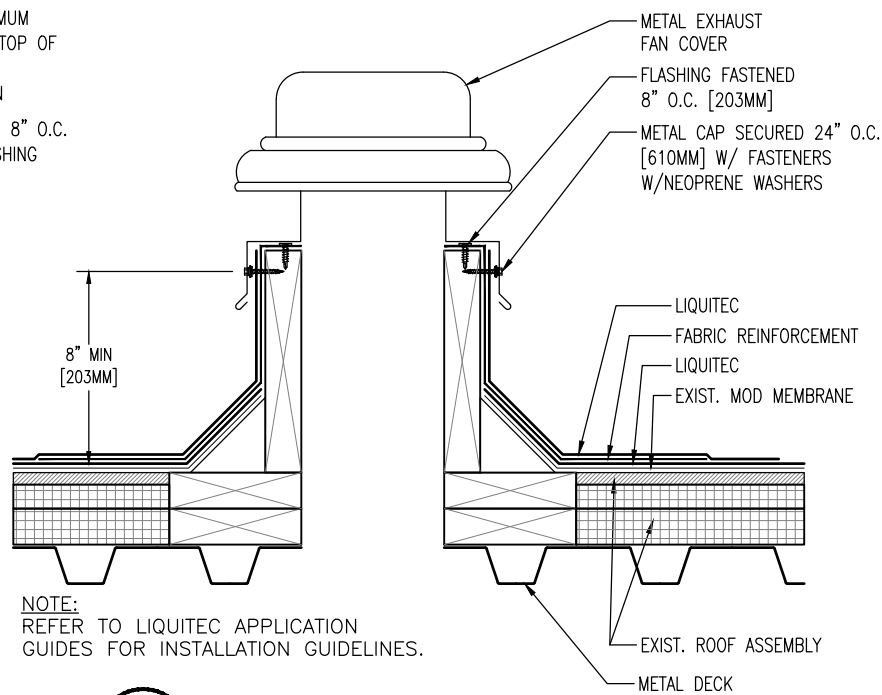


| | | | |
|-----------|---|---------------|-------------|
| REVISION: | ATHENA SCHOOL | | |
| | 3775 ATHENA SCHOOL RD. DE SOTO, MO 6320 | | |
| | ARCHITECT: | AGENT: | JOB NUMBER: |
| | | JEREMY COZART | |
| SHEET: | DATE: | CUSTOMER: | CHK BY: |
| 2 | 08-22-22 | | GCK |
| OF | | | DWG BY: |
| 4 | | | |



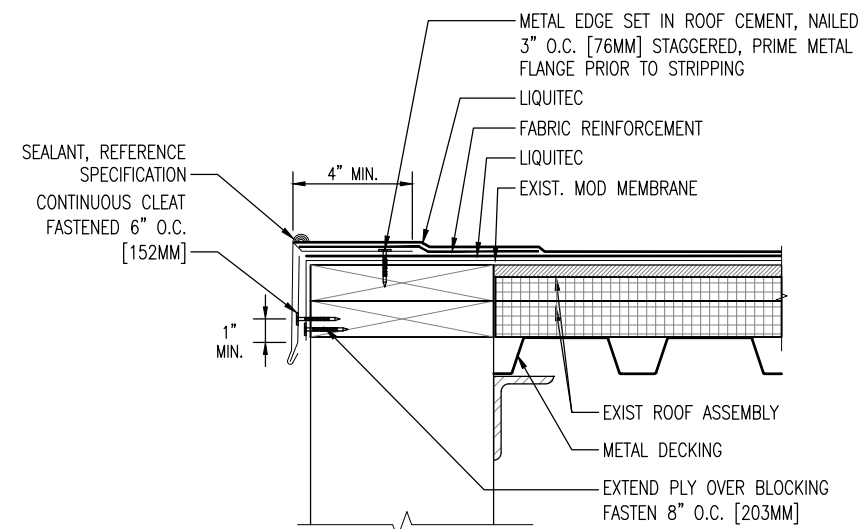
NOTE:
REFER TO LIQUITEC APPLICATION
GUIDES FOR INSTALLATION GUIDELINES.

F
3 **CURB DETAIL / AIR
HANDLING STATION**
SCALE: 1/2" = 1'-0"



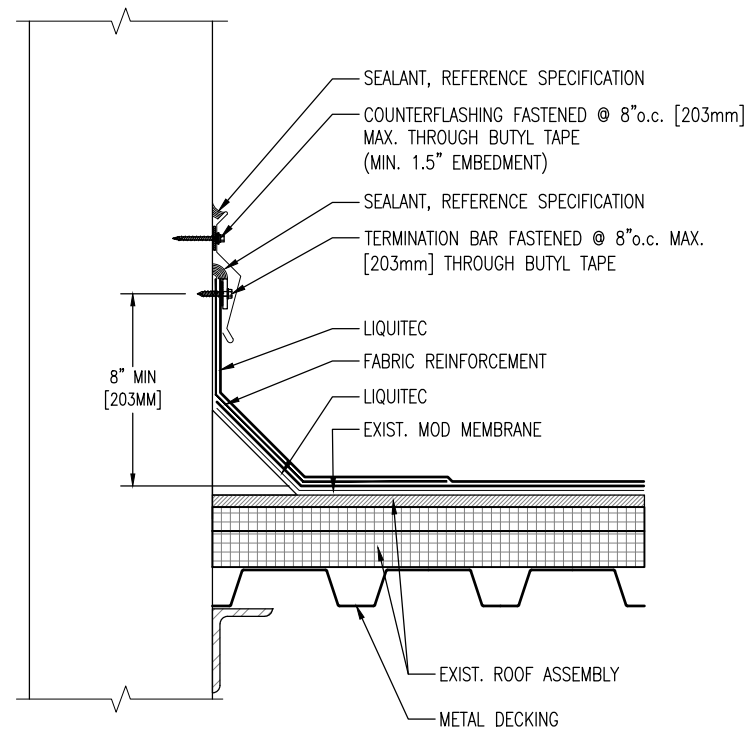
NOTE:
REFER TO LIQUITEC APPLICATION
GUIDES FOR INSTALLATION GUIDELINES.

E
3 **EXHAUST FAN**
SCALE: 1/2" = 1'-0"



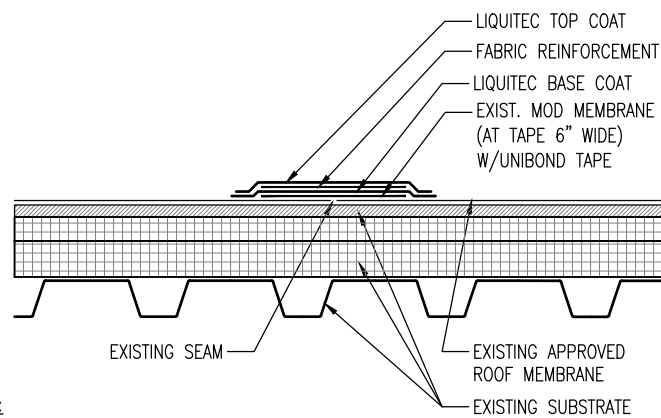
NOTE:
REFER TO LIQUITEC APPLICATION
GUIDES FOR INSTALLATION GUIDELINES.

D
3 **METAL EDGE - DRIP EDGE**
SCALE: 1/2" = 1'-0"



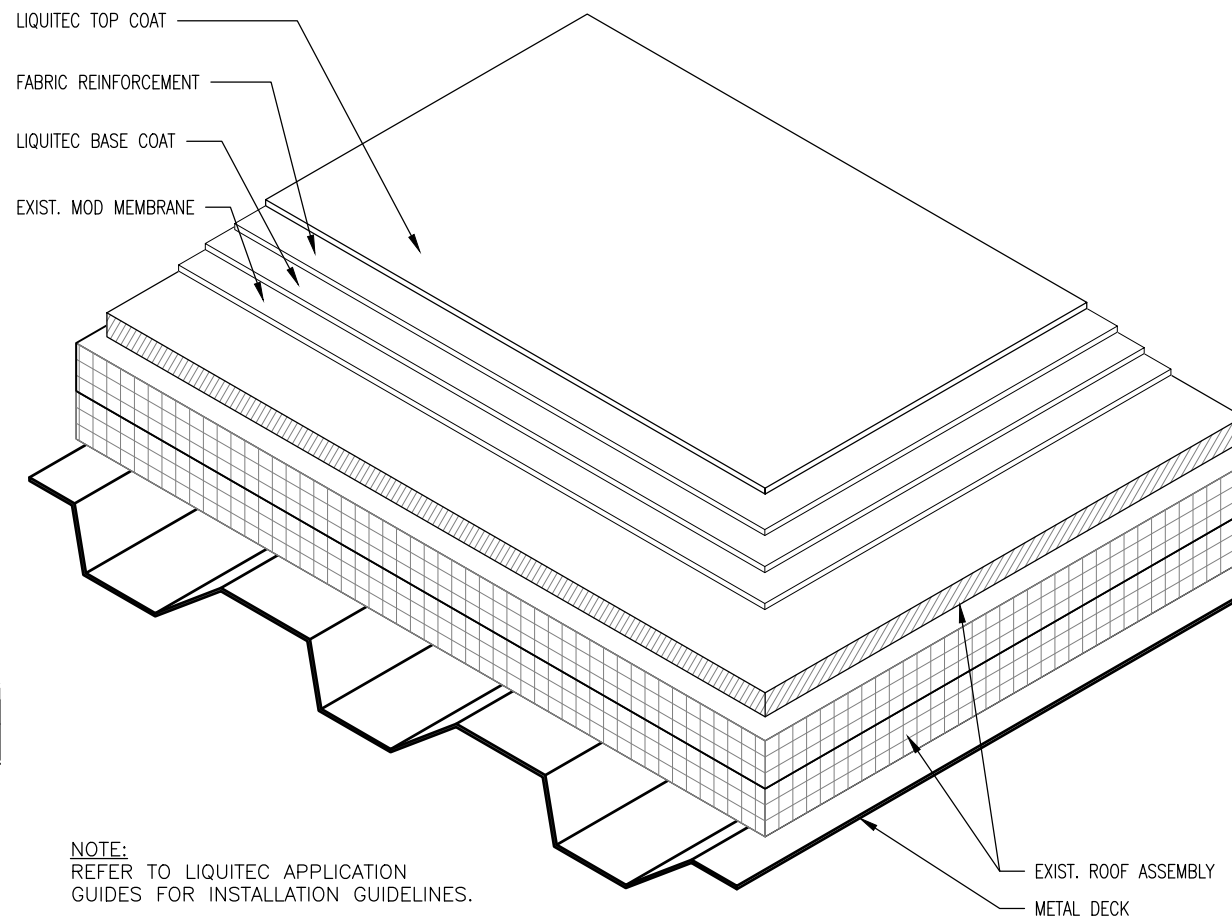
NOTE:
REFER TO LIQUITEC APPLICATION
GUIDES FOR INSTALLATION GUIDELINES.

C
3 **WALL FLASHING -
SURFACE MOUNTED COUNTERFLASHING**
SCALE: 1/2" = 1'-0"



NOTE:
REFER TO LIQUITEC APPLICATION
GUIDES FOR INSTALLATION GUIDELINES.

B
3 **TYPICAL MEMBRANE SEAL DETAIL**
SCALE: 1/2" = 1'-0"



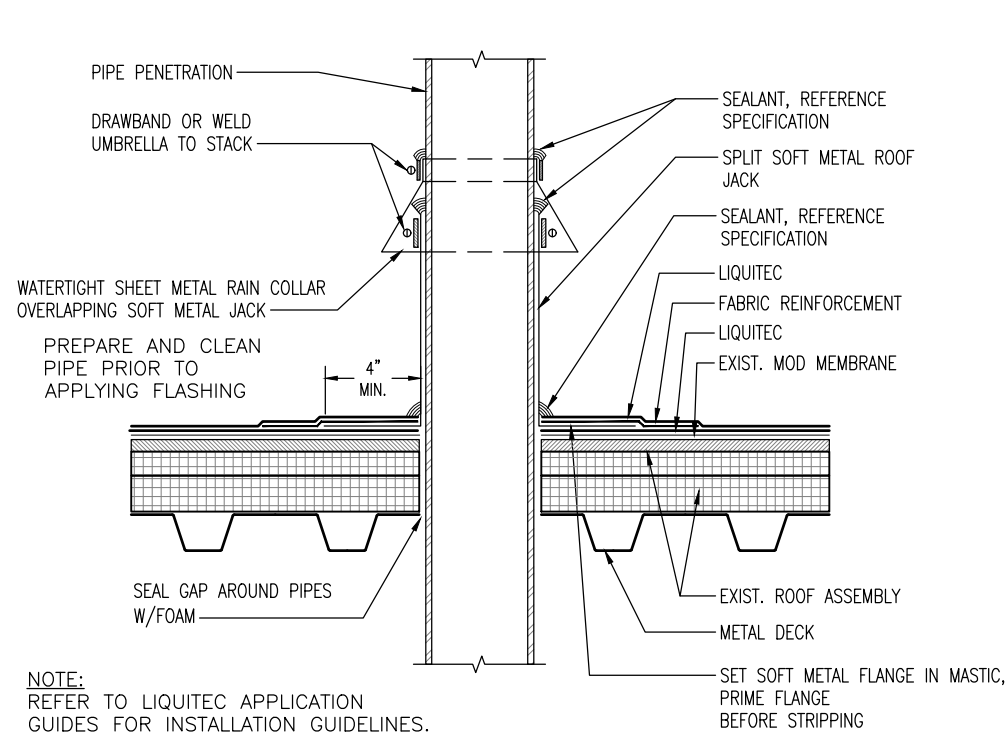
NOTE:
REFER TO LIQUITEC APPLICATION
GUIDES FOR INSTALLATION GUIDELINES.

A
3 **TYPICAL ROOF SYSTEM
SURFACE**
SCALE: 2" = 1'-0"



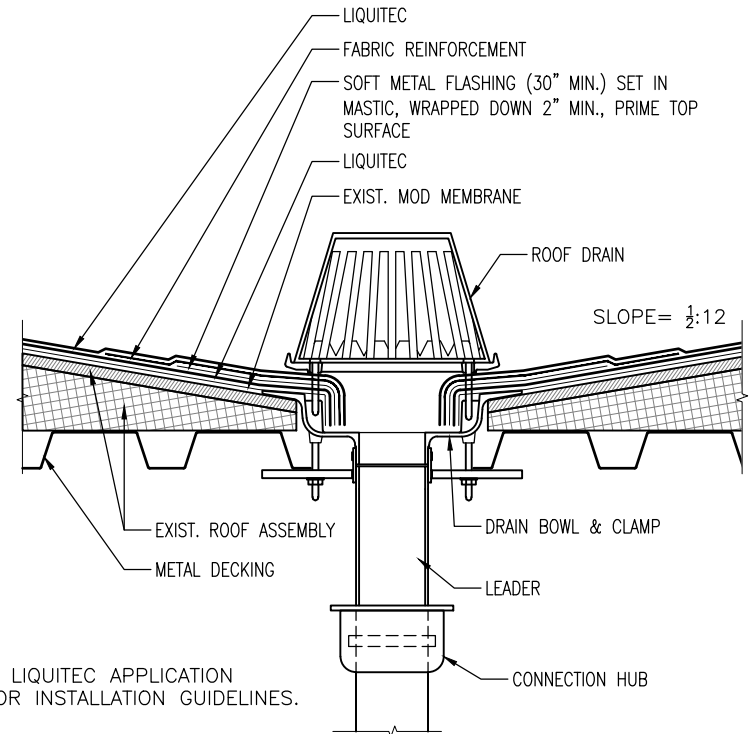
THE GARLAND COMPANY INC.
3800 EAST 91st STREET - CLEVELAND, OHIO 44105-2197
PHONE (800) 327-9356 / FAX (216) 641-0633

| | | |
|---|--------------------------|---------------|
| REVISION: | DATE: 08-22-22 | SHEET: 3 OF 4 |
| ATHENA SCHOOL 3775 ATHENA SCHOOL RD. DE SOTO, MO 63020 | ARCHITECT: JEREMY CODART | CUSTOMER: |
| DWG BY: GCK | CHK BY: | |



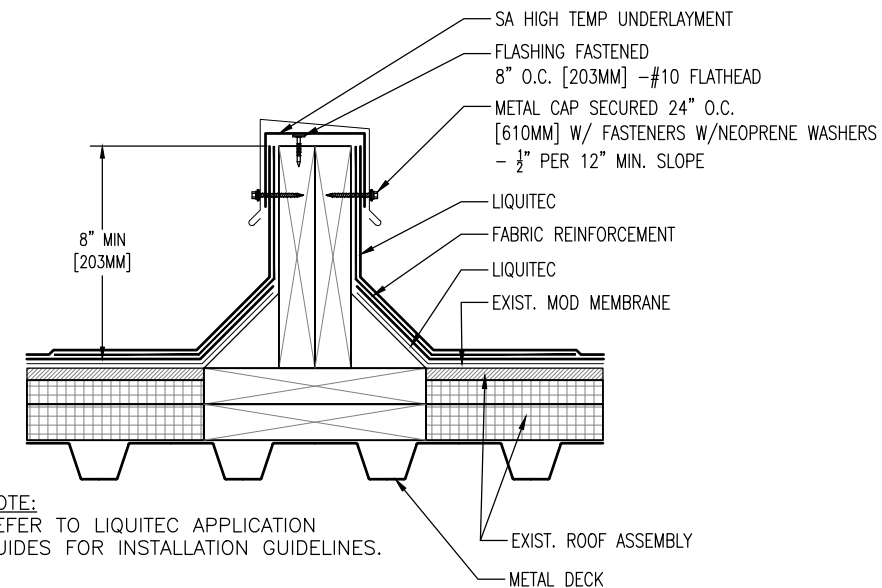
NOTE:
REFER TO LIQUITEC APPLICATION
GUIDES FOR INSTALLATION GUIDELINES.

M PIPE/TUBE PENETRATION - SPLIT JACK w/COLLAR
4 SCALE: 1/2" = 1'-0"



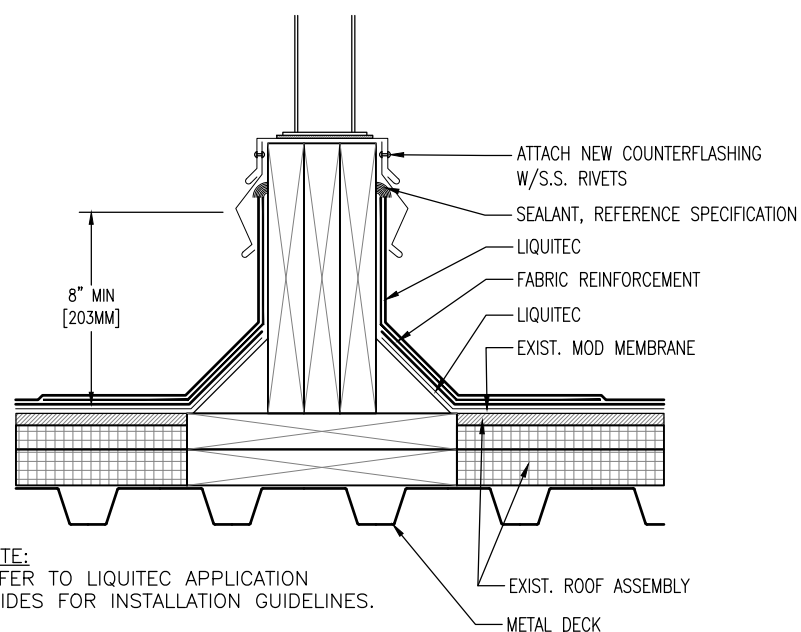
NOTE:
REFER TO LIQUITEC APPLICATION
GUIDES FOR INSTALLATION GUIDELINES.

L ROOF DRAIN
4 SCALE: 1/2" = 1'-0"



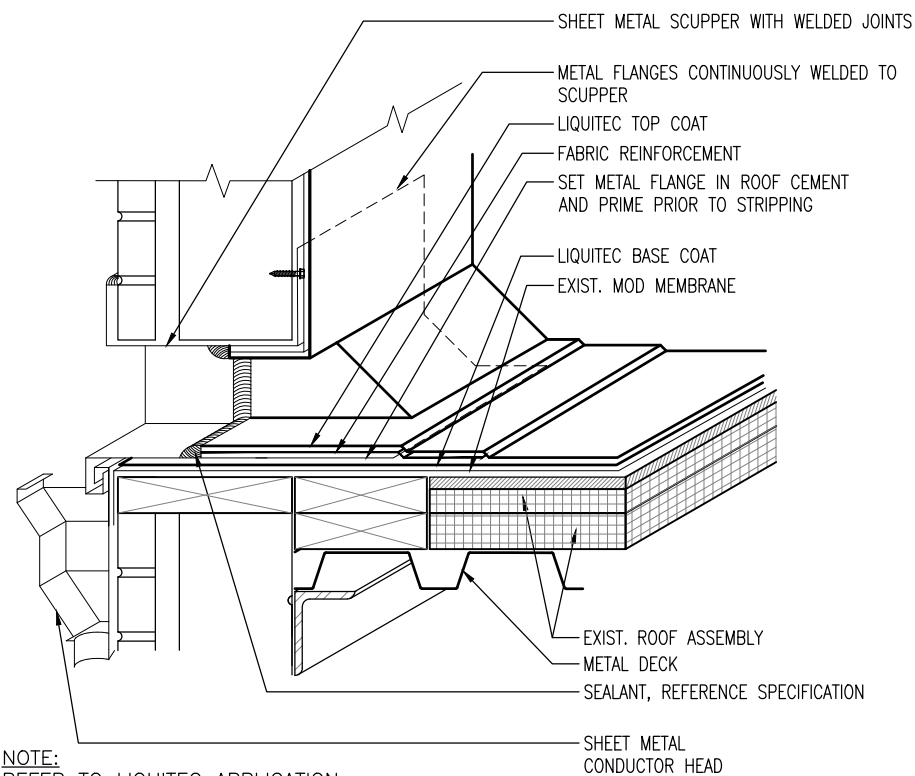
NOTE:
REFER TO LIQUITEC APPLICATION
GUIDES FOR INSTALLATION GUIDELINES.

K AREA DIVIDER
4 SCALE: 1/2" = 1'-0"



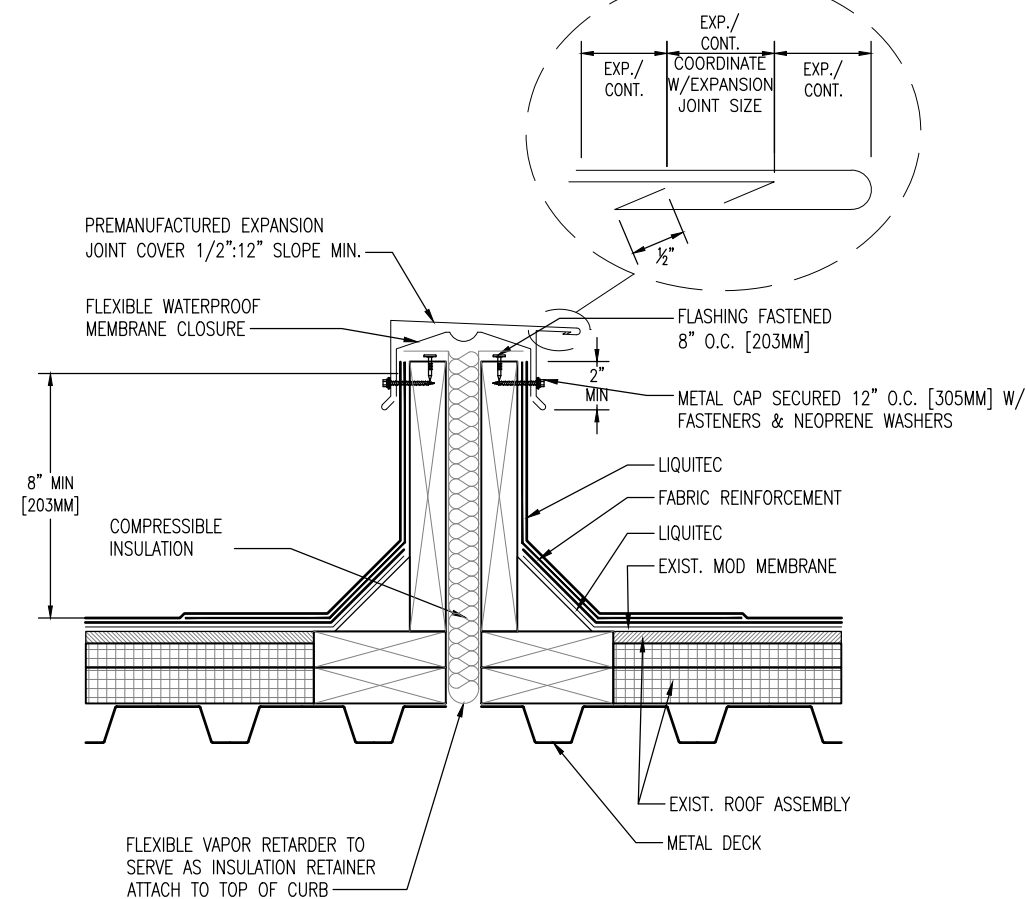
NOTE:
REFER TO LIQUITEC APPLICATION
GUIDES FOR INSTALLATION GUIDELINES.

J EQUIPMENT SUPPORT - EXISTING
4 SCALE: 1/2" = 1'-0"



NOTE:
REFER TO LIQUITEC APPLICATION
GUIDES FOR INSTALLATION GUIDELINES.

H SCUPPER THROUGHWALL
4 SCALE: 1/2" = 1'-0"



NOTE:
REFER TO LIQUITEC APPLICATION
GUIDES FOR INSTALLATION GUIDELINES.

G EXPANSION JOINT
4 SCALE: 1/2" = 1'-0"



ATHENA SCHOOL
3775 ATHENA SCHOOL RD. DE SOTO, MO 63202

AGENT: JEREMY COART
JOB NUMBER:

ARCHITECT:

CUSTOMER:

DATE: 08-22-22

REVISION:

SHEET: 4 OF 4

CHK BY: GCK

DWG BY: GCK

THE GARLAND COMPANY INC.
3800 EAST 91st STREET - CLEVELAND, OHIO 44105-2197
PHONE (800) 321-9356 / FAX (216) 641-0633