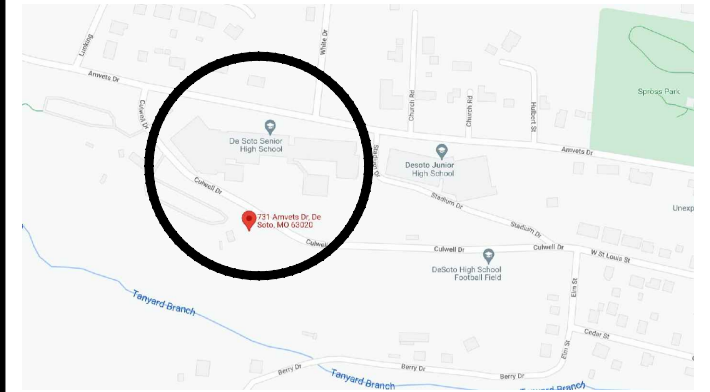


DESOTO SENIOR HIGH SCHOOL

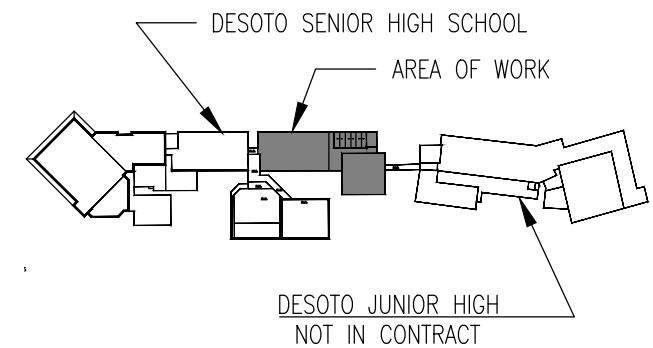
815 AMVETS DRIVE, DE SOTO, MO 63020



LOCATION MAP



KEY PLAN



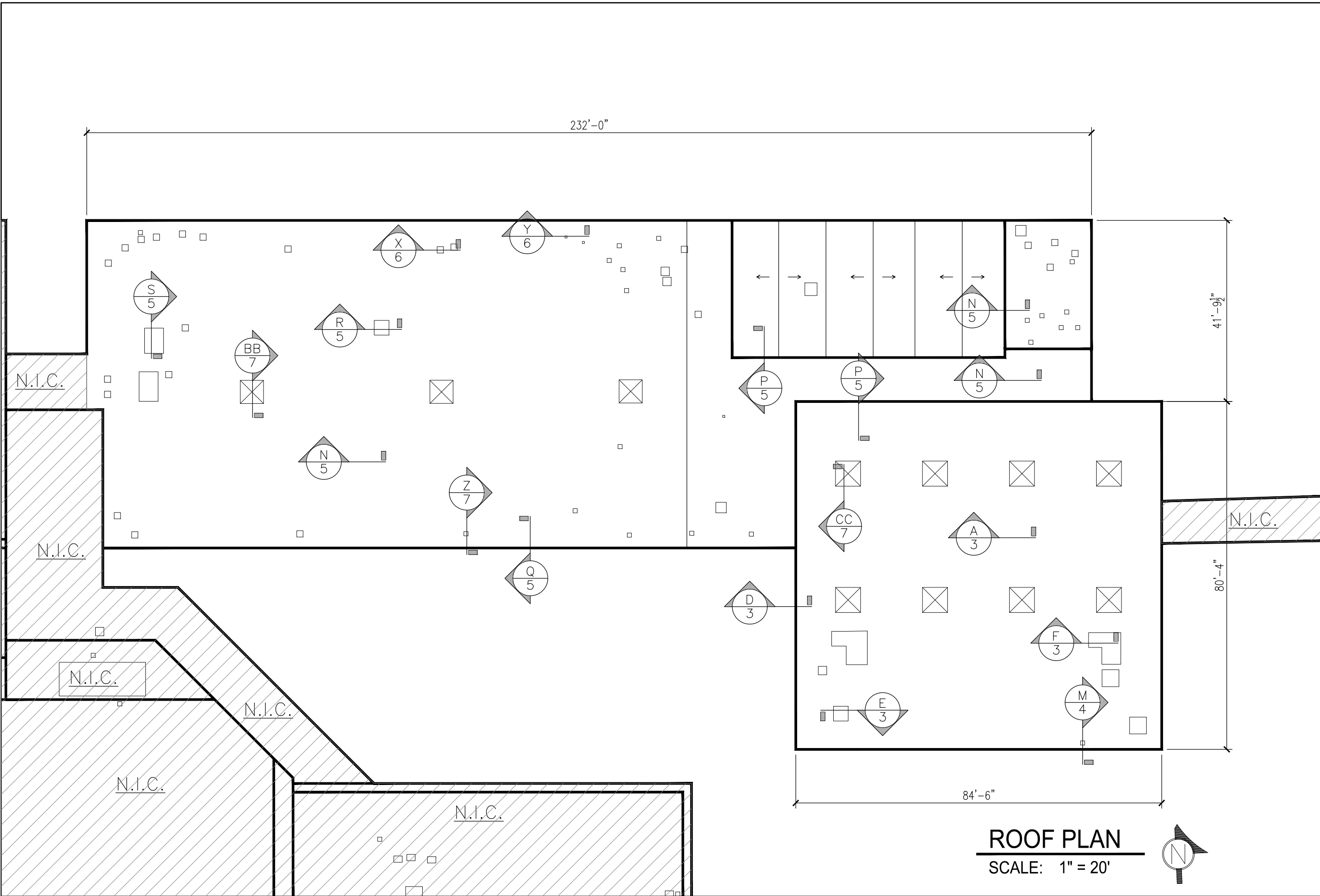
DRAWING INDEX

- SHT 1 - COVER SHEET
- SHT 2 - ROOF PLAN
- SHT 3 - DETAILS
- SHT 4 - DETAILS
- SHT 5 - DETAILS
- SHT 6 - DETAILS
- SHT 7 - DETAILS

THE GARLAND COMPANY INC.
 3800 EAST 91st STREET - CLEVELAND, OHIO 44105-2197
 PHONE (800) 327-9356 / FAX (216) 641-0633



DESOTO SENIOR HIGH SCHOOL		AGENT: JEREMY COART	DWG BY: GCK	CHK BY:
815 AMVETS DRIVE, DE SOTO, MO 63020		JOB NUMBER:		
REVISION:		ARCHITECT:	DATE: 08-17-22	CUSTOMER:
SHEET: 1	OF 7			



ROOF PLAN

SCALE: 1" = 20'



THE GARLAND COMPANY INC.
 3800 EAST 91st STREET - CLEVELAND, OHIO 44105-2197
 PHONE (800) 327-9356 / FAX (216) 641-0633

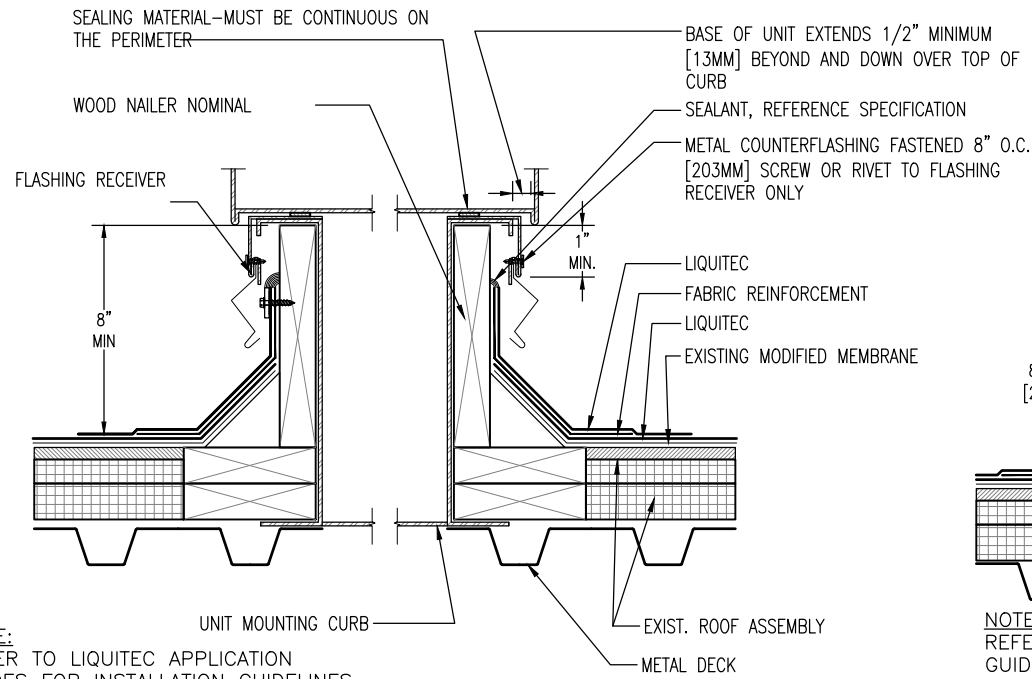


DESOTO SENIOR HIGH SCHOOL
 815 AMETS DRIVE, DE SOTO, MO 63202

ARCHITECT: JEREMY COZART
 CUSTOMER: JEREMY COZART

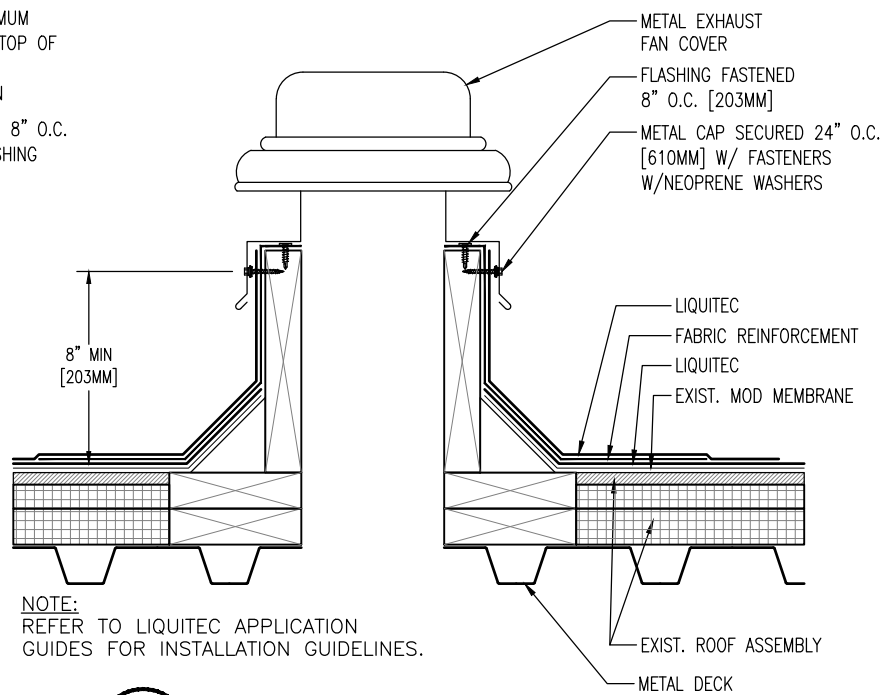
REVISION: _____
 SHEET: 2 OF 7

DATE: 08-17-22
 JOB NUMBER: _____
 DWG BY: GCK
 CHK BY: _____



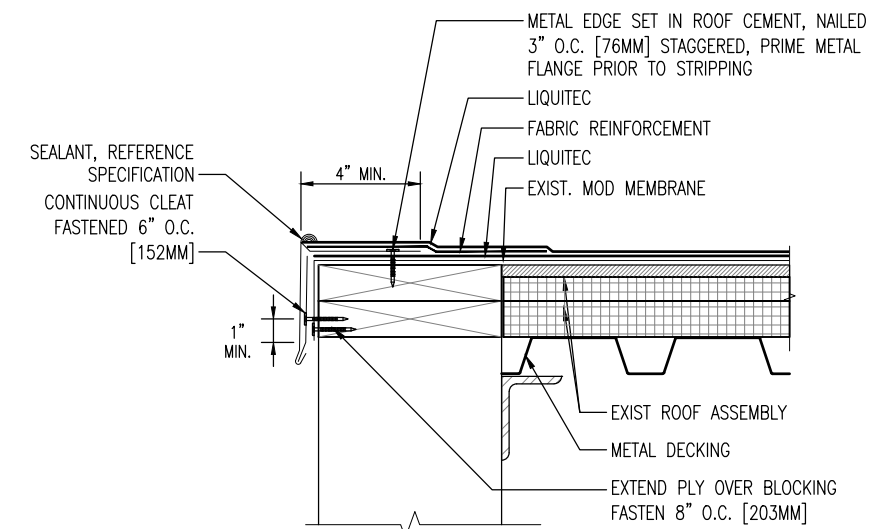
NOTE:
REFER TO LIQUITEC APPLICATION
GUIDES FOR INSTALLATION GUIDELINES.

F
3 **CURB DETAIL / AIR
HANDLING STATION**
SCALE: 1/2" = 1'-0"



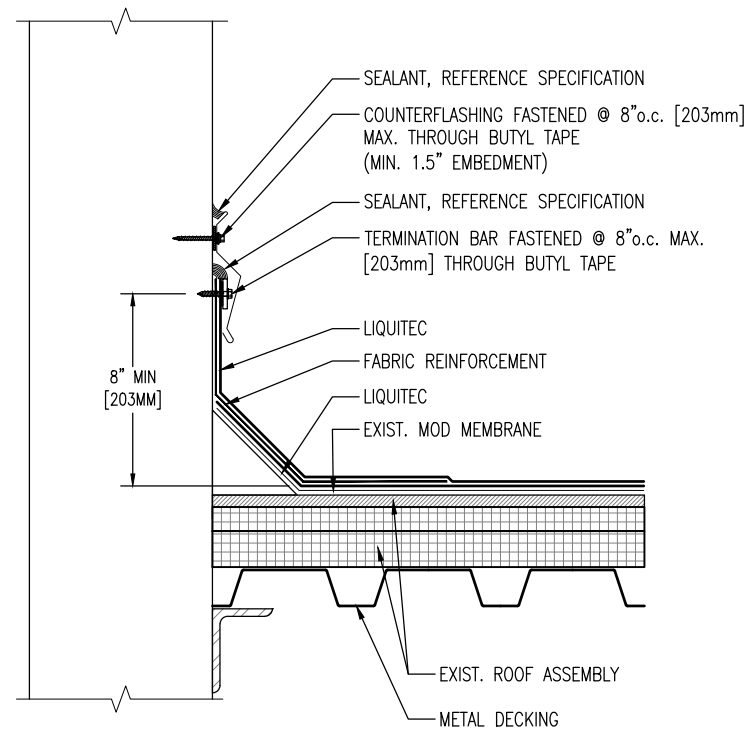
NOTE:
REFER TO LIQUITEC APPLICATION
GUIDES FOR INSTALLATION GUIDELINES.

E
3 **EXHAUST FAN**
SCALE: 1/2" = 1'-0"



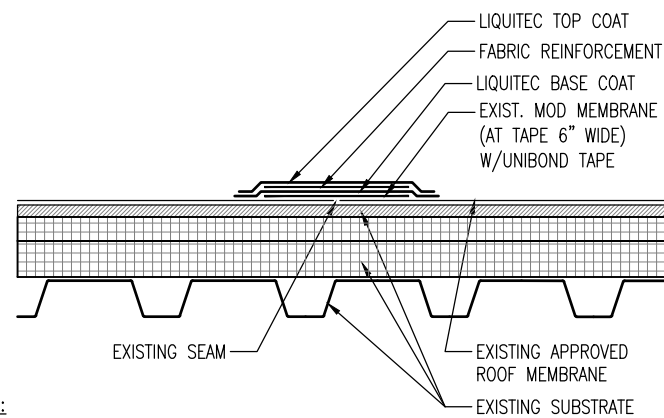
NOTE:
REFER TO LIQUITEC APPLICATION
GUIDES FOR INSTALLATION GUIDELINES.

D
3 **METAL EDGE - DRIP EDGE**
SCALE: 1/2" = 1'-0"



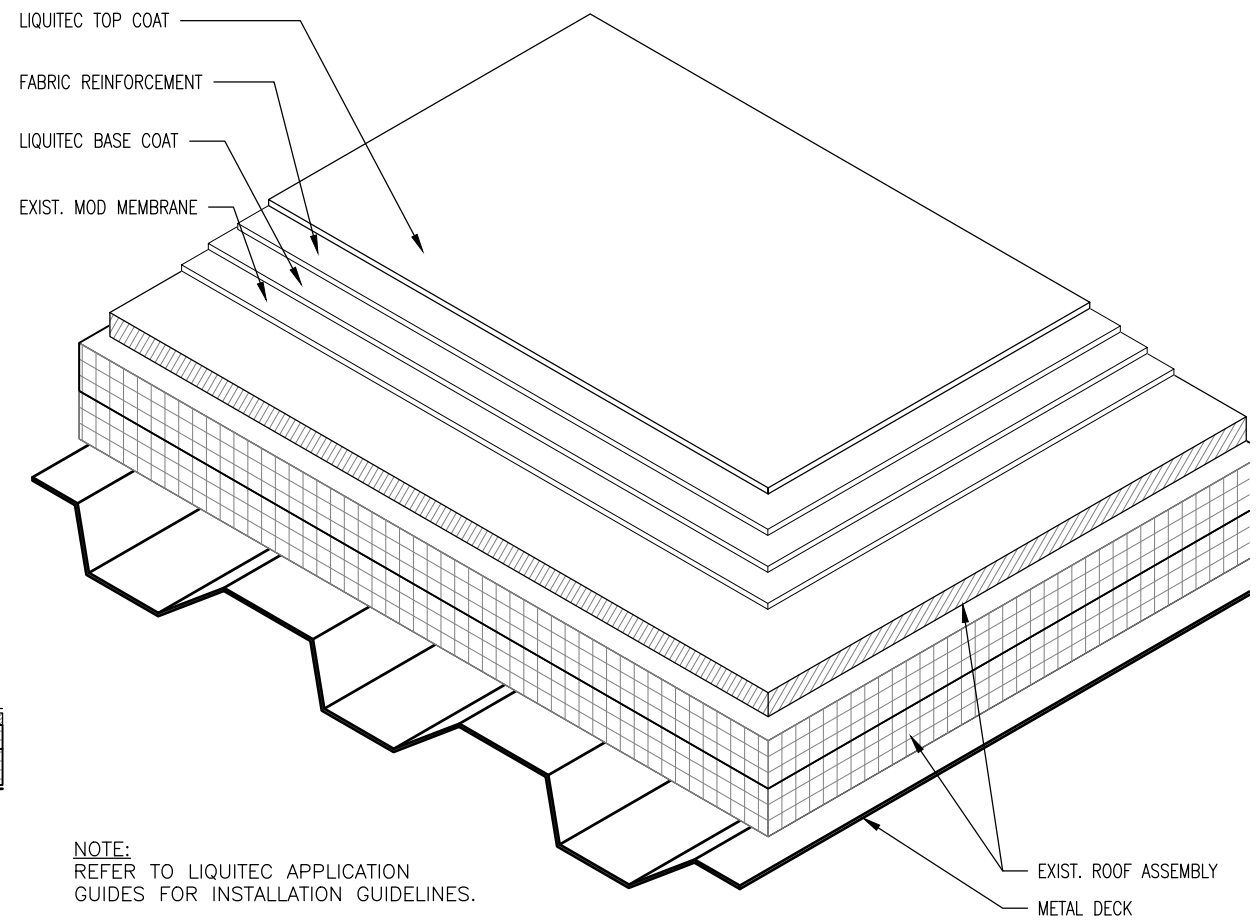
NOTE:
REFER TO LIQUITEC APPLICATION
GUIDES FOR INSTALLATION GUIDELINES.

C
3 **WALL FLASHING -
SURFACE MOUNTED COUNTERFLASHING**
SCALE: 1/2" = 1'-0"



NOTE:
REFER TO LIQUITEC APPLICATION
GUIDES FOR INSTALLATION GUIDELINES.

B
3 **TYPICAL MEMBRANE SEAL DETAIL**
SCALE: 1/2" = 1'-0"



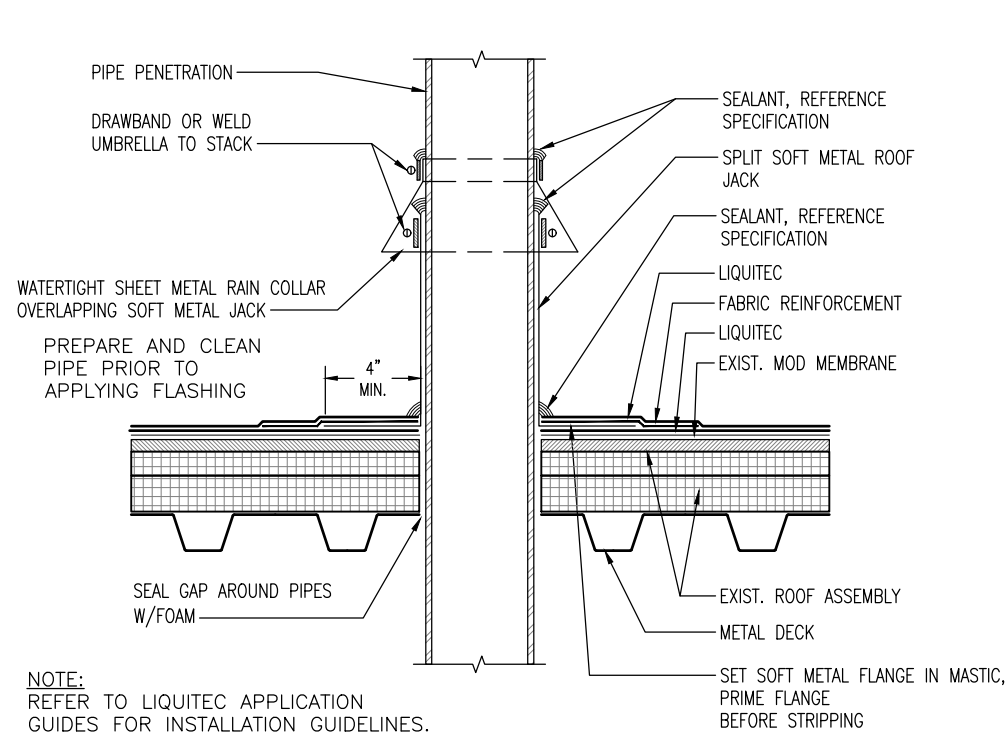
NOTE:
REFER TO LIQUITEC APPLICATION
GUIDES FOR INSTALLATION GUIDELINES.

A
3 **TYPICAL ROOF SYSTEM
SURFACE**
SCALE: 3" = 1'-0"

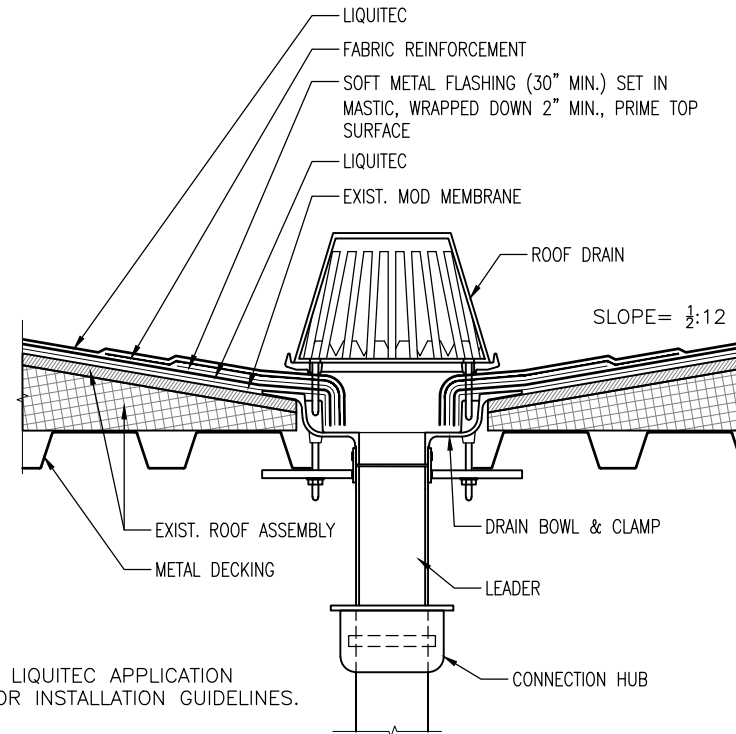
THE GARLAND COMPANY INC.
3800 EAST 91st STREET - CLEVELAND, OHIO 44105-2197
PHONE (800) 327-9356 / FAX (216) 641-0633



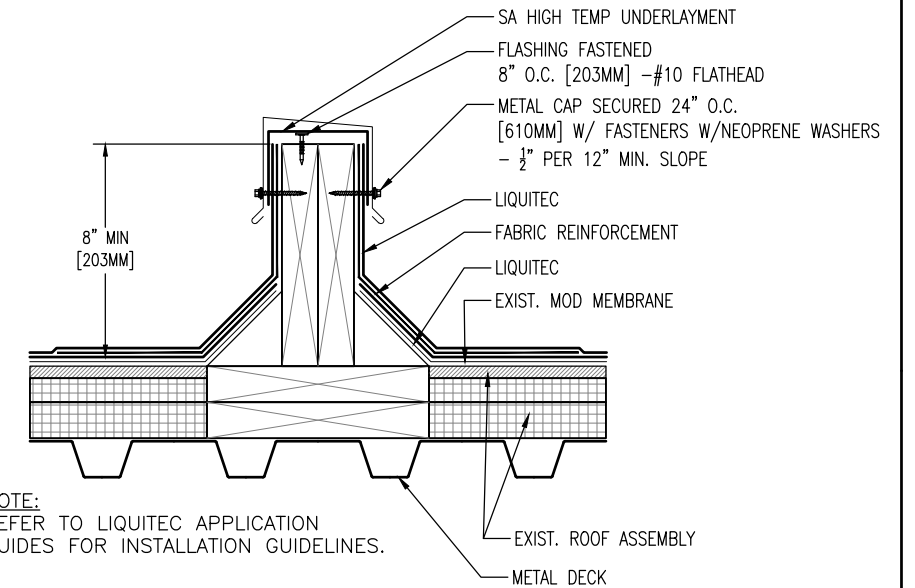
DESOTO SENIOR HIGH SCHOOL 615 AMETS DRIVE, DE SOTO, MO 63202	ARCHITECT: JEREMY CODART	DWG BY: GCK	CHK BY:
AGENT: JEREMY CODART	JOB NUMBER:		
DATE: 08-17-22	CUSTOMER:		
REVISION:			
SHEET: 3	OF 7		



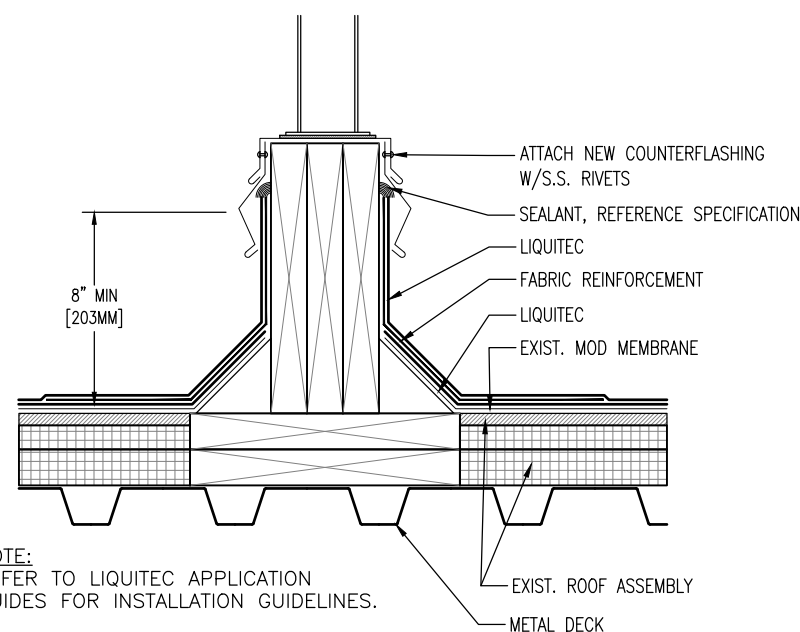
M PIPE/TUBE PENETRATION - SPLIT JACK w/COLLAR
 4 SCALE: 1/2" = 1'-0"



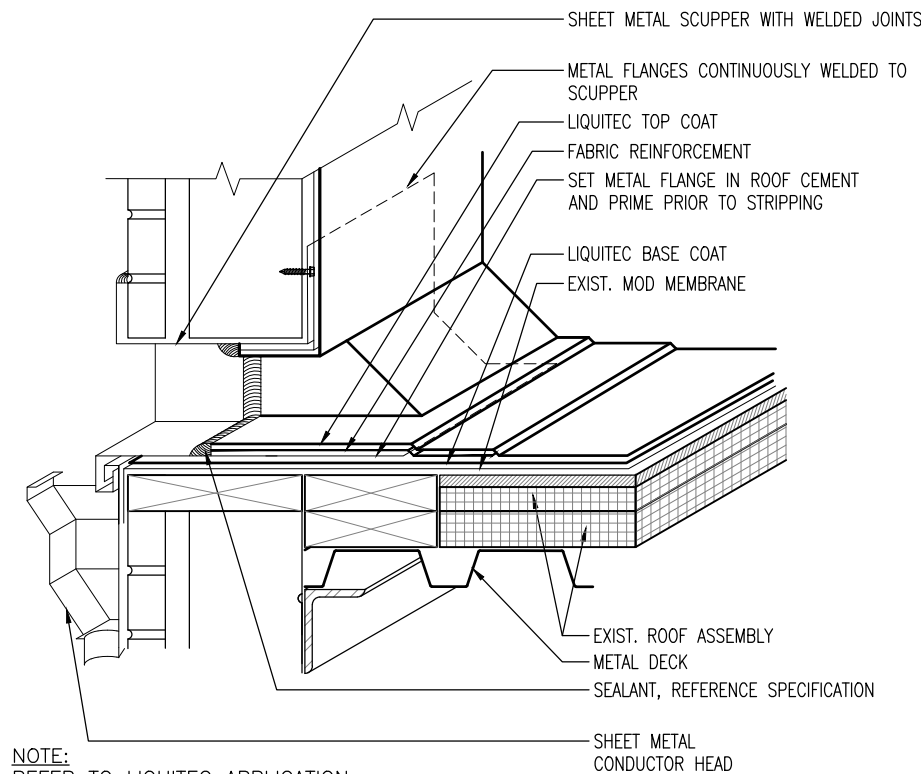
L ROOF DRAIN
 4 SCALE: 1/2" = 1'-0"



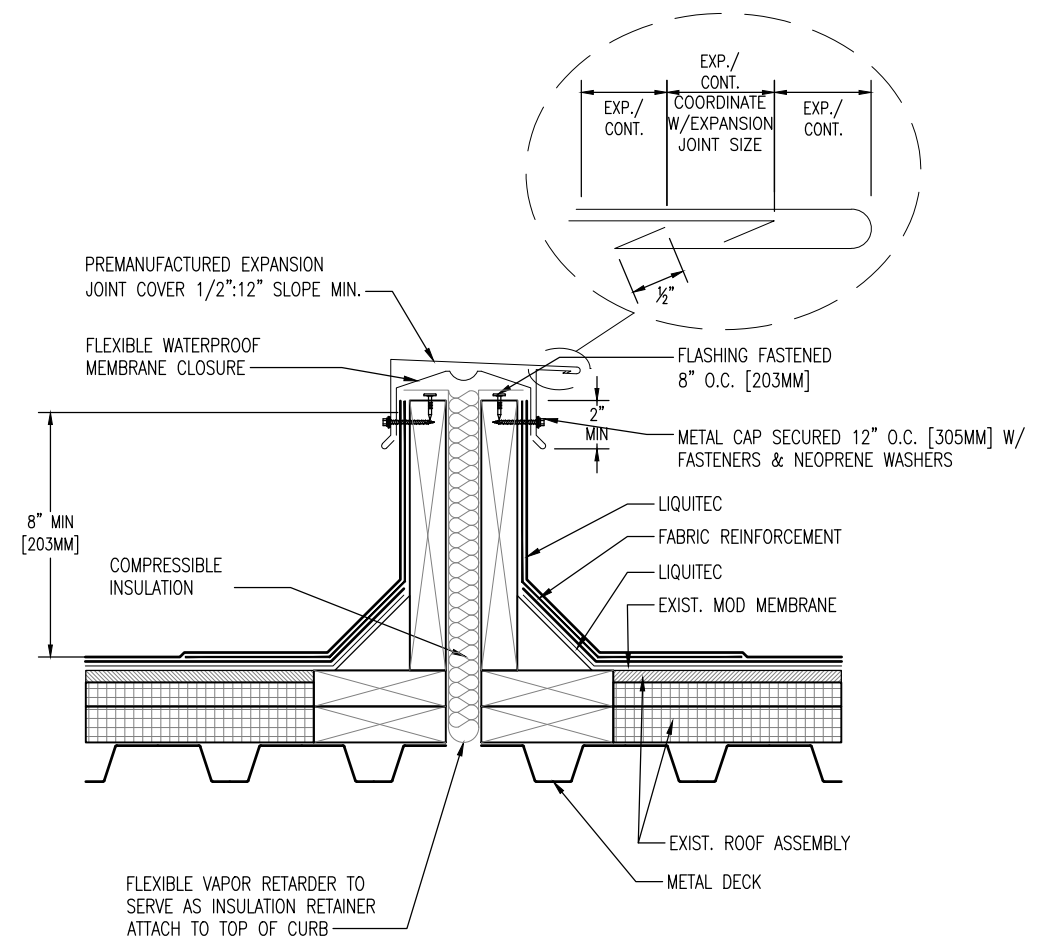
K AREA DIVIDER
 4 SCALE: 1/2" = 1'-0"



J EQUIPMENT SUPPORT - EXISTING
 4 SCALE: 1/2" = 1'-0"



H SCUPPER THROUGHWALL
 4 SCALE: 1/2" = 1'-0"



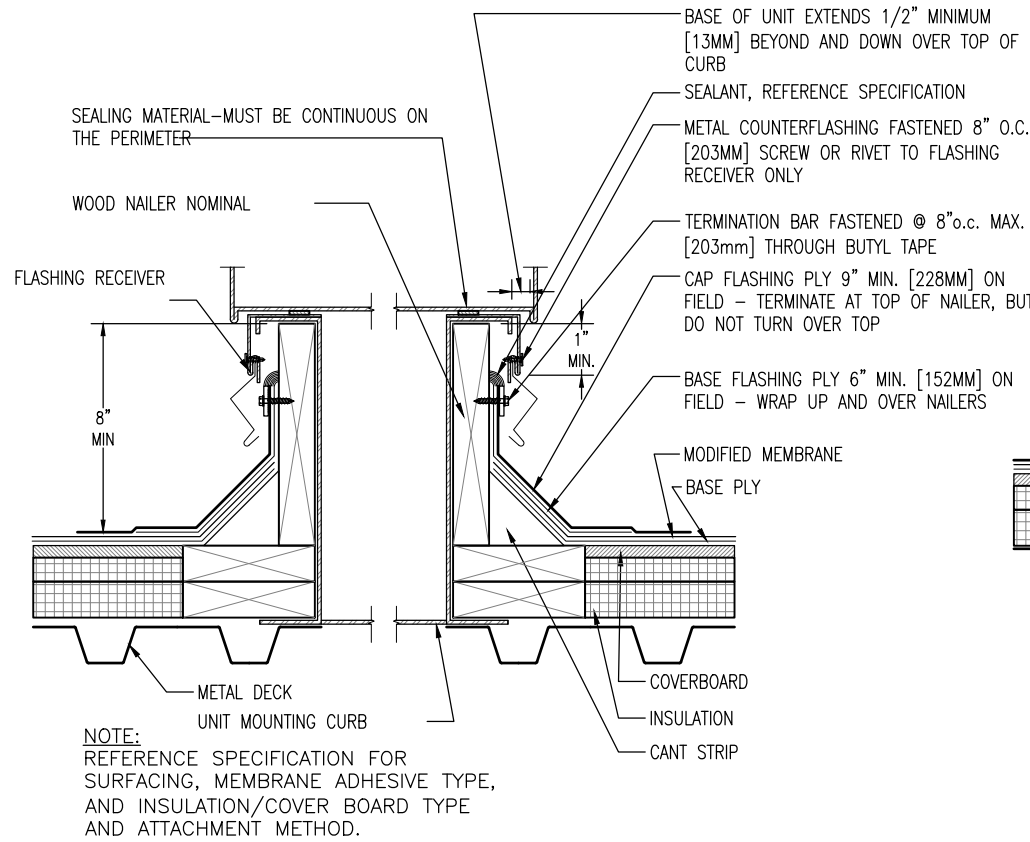
G EXPANSION JOINT
 4 SCALE: 1/2" = 1'-0"



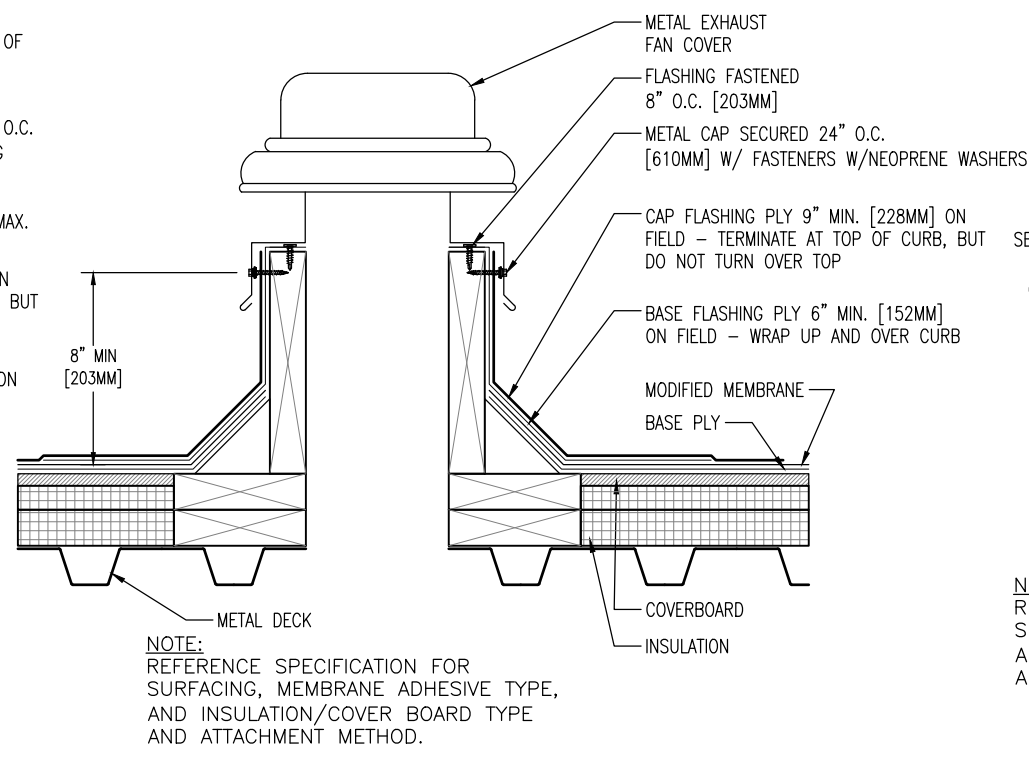
THE GARLAND COMPANY INC.
 3800 EAST 91st STREET - CLEVELAND, OHIO 44105-2197
 PHONE (800) 321-9356 / FAX (216) 641-0633

DESOTO SENIOR HIGH SCHOOL
 615 AMETS DRIVE, DE SOTO, MO 63202
 AGENT: JEREMY COART
 JOB NUMBER: _____

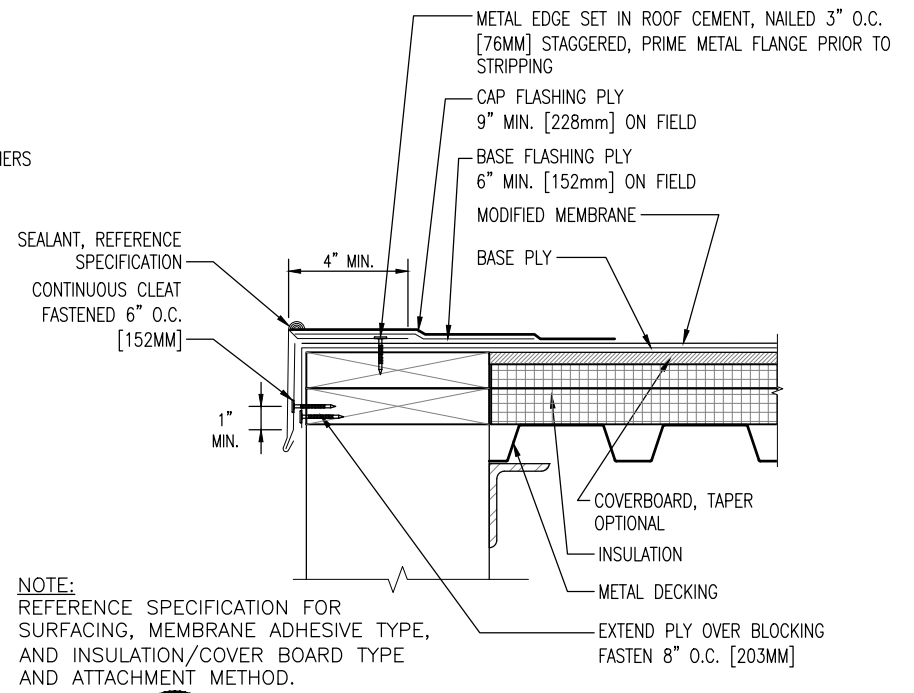
ARCHITECT: _____
 CUSTOMER: _____
 DATE: 08-17-22
 SHEET: 4 OF 7
 DWG BY: GCK
 CHK BY: _____



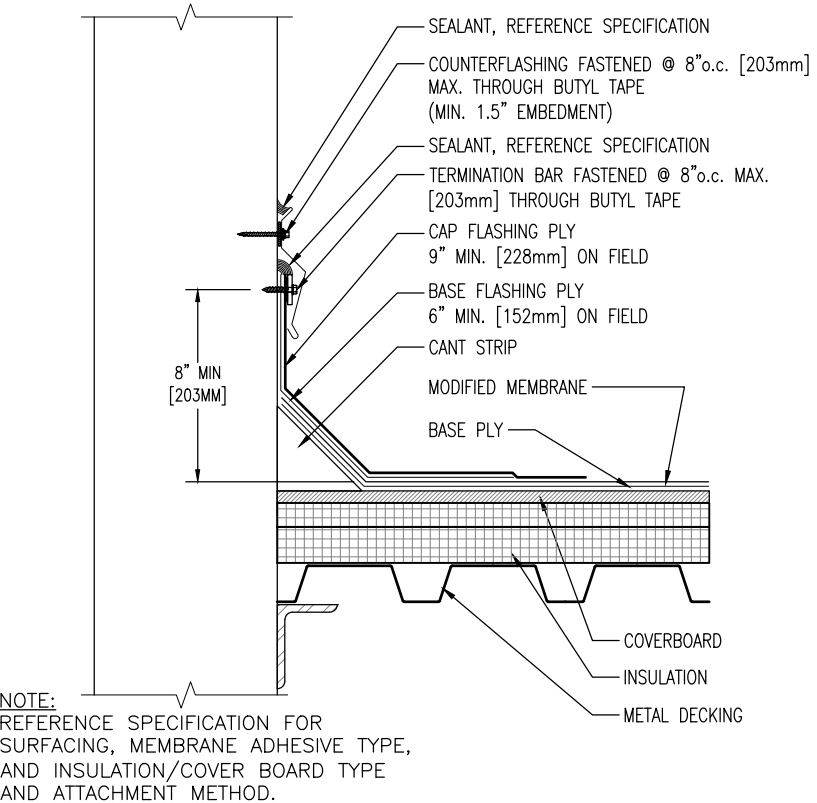
S
5
CURB DETAIL / AIR HANDLING STATION
SCALE: 1/2" = 1'-0"



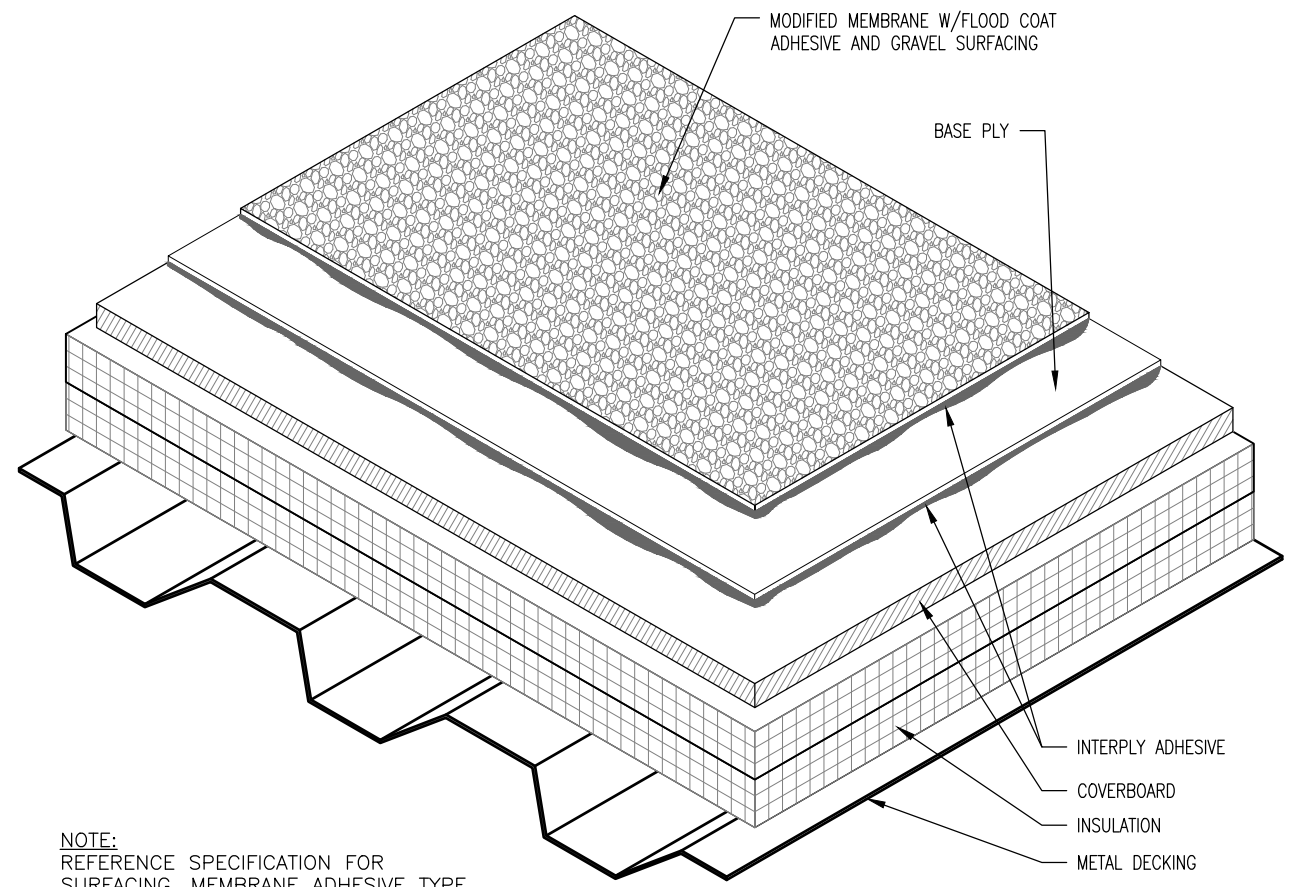
R
5
EXHAUST FAN
SCALE: 1/2" = 1'-0"



Q
5
METAL EDGE - DRIP EDGE
SCALE: 1/2" = 1'-0"



P
5
WALL FLASHING - SURFACE MOUNTED COUNTERFLASHING
SCALE: 1/2" = 1'-0"

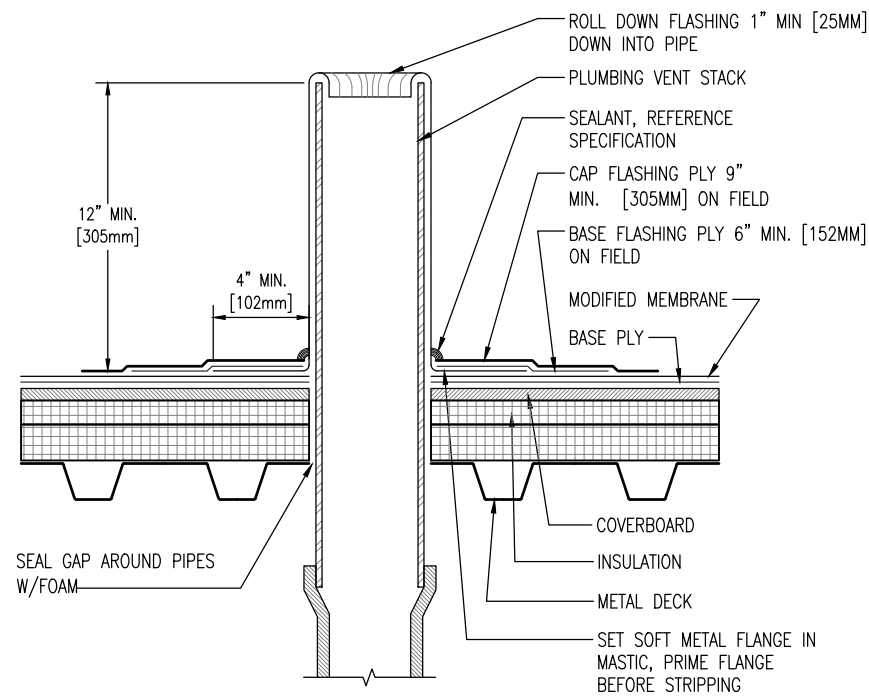


N
5
TYPICAL ROOF SYSTEM GRAVEL SURFACE
SCALE: 3" = 1'-0"

THE GARLAND COMPANY INC.
3800 EAST 91st STREET - CLEVELAND, OHIO 44105-2197
PHONE (800) 327-9356 / FAX (216) 641-0633

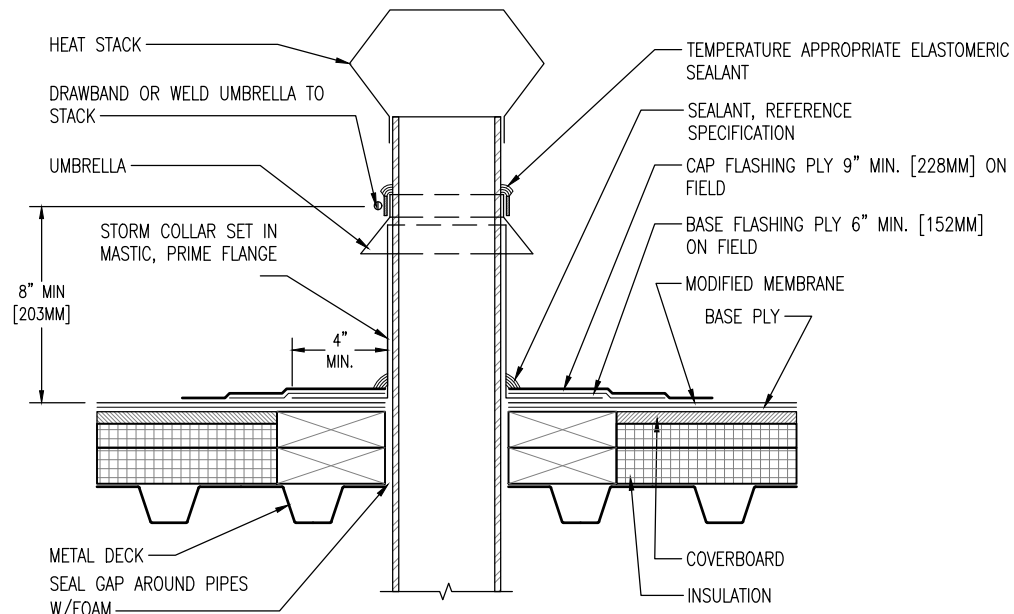


DESOTO SENIOR HIGH SCHOOL 615 AMETS DRIVE, DE SOTO, MO 63202	ARCHITECT: JEREMY CODART	DWG BY: GCK	CHK BY:
AGENT: JEREMY CODART	JOB NUMBER:		
REVISION:	DATE: 08-17-22	OF 7	
SHEET: 5			



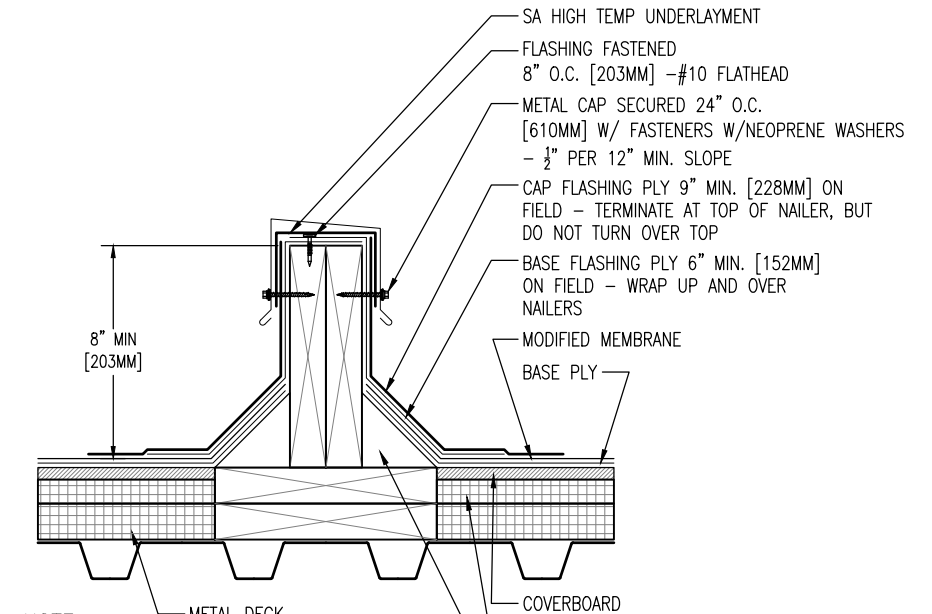
NOTE:
REFERENCE SPECIFICATION FOR
SURFACING, MEMBRANE ADHESIVE TYPE,
AND INSULATION/COVER BOARD TYPE
AND ATTACHMENT METHOD.

Y PLUMBING STACK
SCALE: 1/2" = 1'-0"



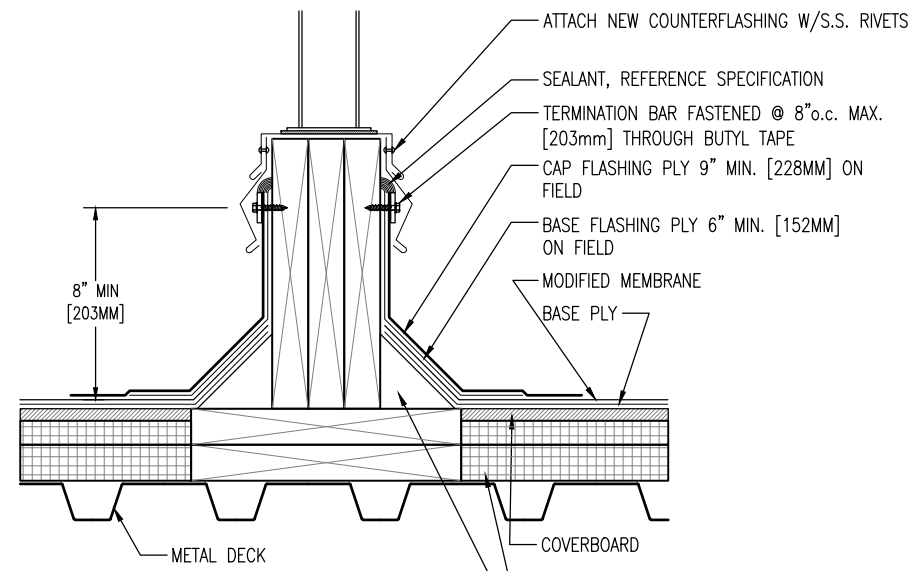
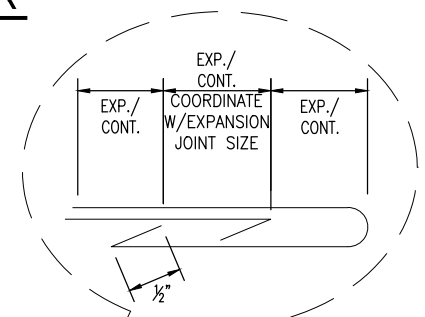
NOTE:
REFERENCE SPECIFICATION FOR
SURFACING, MEMBRANE ADHESIVE TYPE,
AND INSULATION/COVER BOARD TYPE
AND ATTACHMENT METHOD.

X HEAT STACK
SCALE: 1/2" = 1'-0"



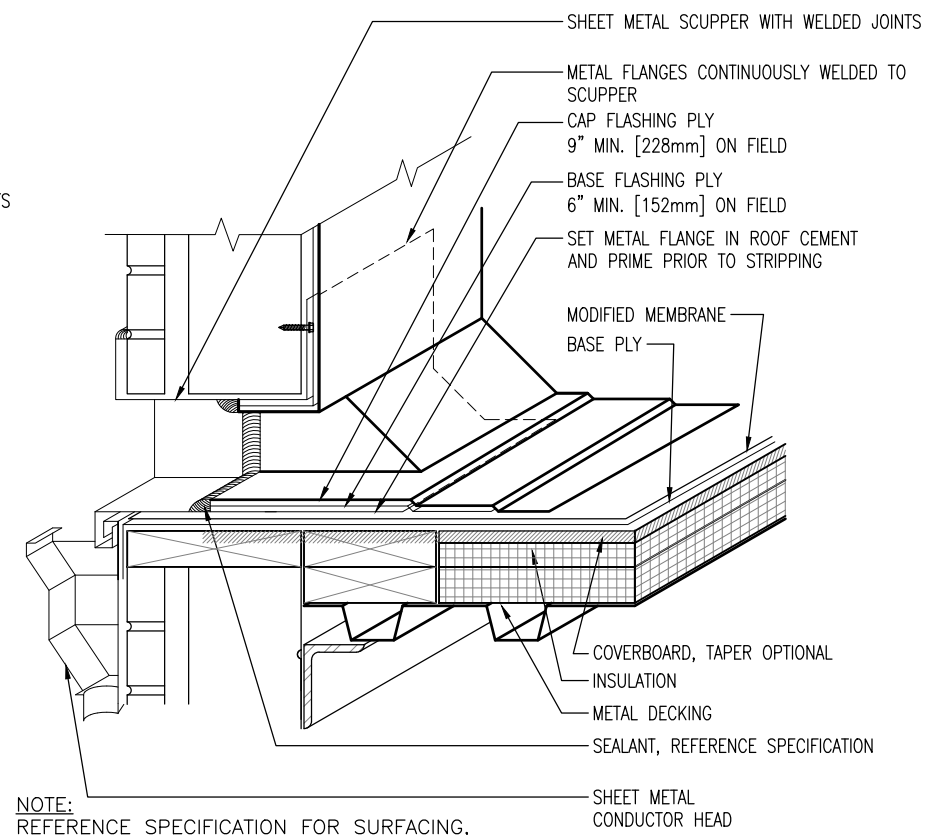
NOTE:
REFERENCE SPECIFICATION FOR
SURFACING, MEMBRANE ADHESIVE TYPE,
AND INSULATION/COVER BOARD TYPE
AND ATTACHMENT METHOD.

W AREA DIVIDER
SCALE: 1/2" = 1'-0"



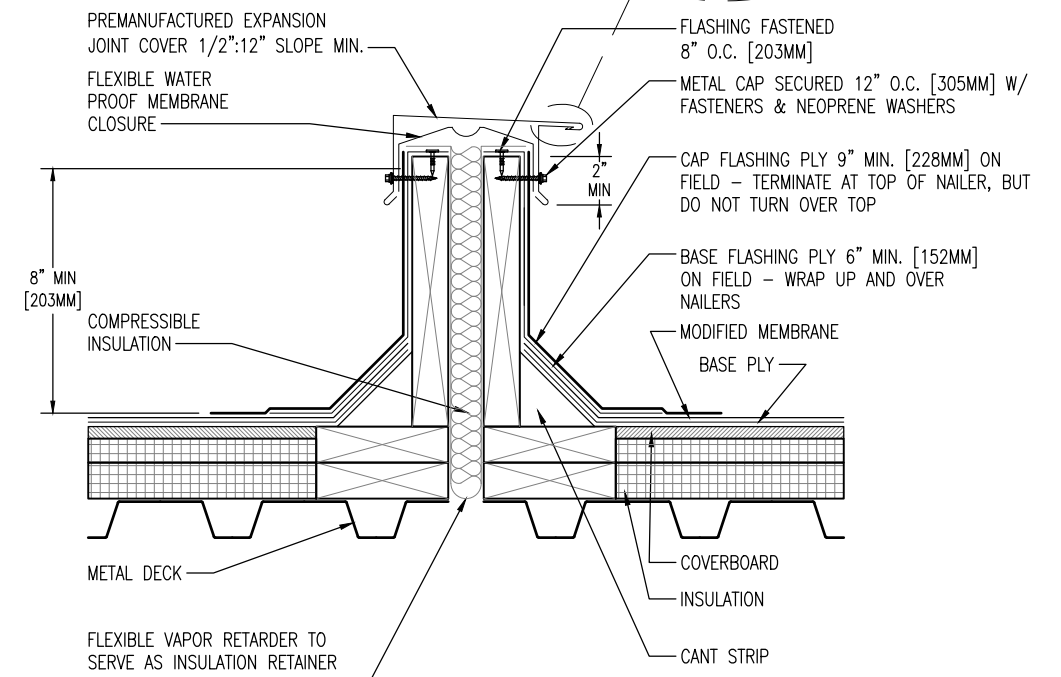
NOTE:
REFERENCE SPECIFICATION FOR
SURFACING, MEMBRANE ADHESIVE TYPE,
AND INSULATION/COVER BOARD TYPE
AND ATTACHMENT METHOD.

V EQUIPMENT SUPPORT - EXISTING
SCALE: 1/2" = 1'-0"



NOTE:
REFERENCE SPECIFICATION FOR SURFACING,
MEMBRANE ADHESIVE TYPE, AND INSULATION/COVER
BOARD TYPE AND ATTACHMENT METHOD.

U SCUPPER THROUGHWALL
SCALE: 1/2" = 1'-0"



NOTE:
REFERENCE SPECIFICATION FOR SURFACING, MEMBRANE ADHESIVE TYPE,
AND INSULATION/COVER BOARD TYPE AND ATTACHMENT METHOD.

T EXPANSION JOINT
SCALE: 1/2" = 1'-0"

